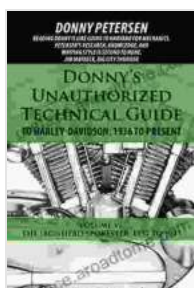


# Donny Unauthorized Technical Guide to Harley Davidson 1936 to Present

## The Ultimate Reference for Harley-Davidson Enthusiasts

Step into the world of Harley-Davidson motorcycles with Donny Unauthorized's Technical Guide, the most comprehensive and authoritative resource for enthusiasts of all levels. This meticulously crafted guide spans the entire history of Harley-Davidson, from its humble beginnings in 1936 to the latest models rolling off the assembly line today.

Inside these pages, you'll find an unparalleled wealth of technical knowledge and practical advice, meticulously organized and presented in an easy-to-navigate format. Whether you're a seasoned mechanic, a budding DIYer, or simply a passionate Harley devotee, Donny Unauthorized's Technical Guide will become your indispensable companion.



## Donny'S Unauthorized Technical Guide to Harley-Davidson, 1936 to Present: Volume Vi: the Ironhead Sportster: 1957 to 1985 by Donny Petersen

★★★★☆ 4.6 out of 5

Language : English  
File size : 19515 KB  
Text-to-Speech : Enabled  
Screen Reader : Supported  
Enhanced typesetting : Enabled  
Print length : 1085 pages

FREE

DOWNLOAD E-BOOK





## **Explore the Essence of Harley-Davidson**

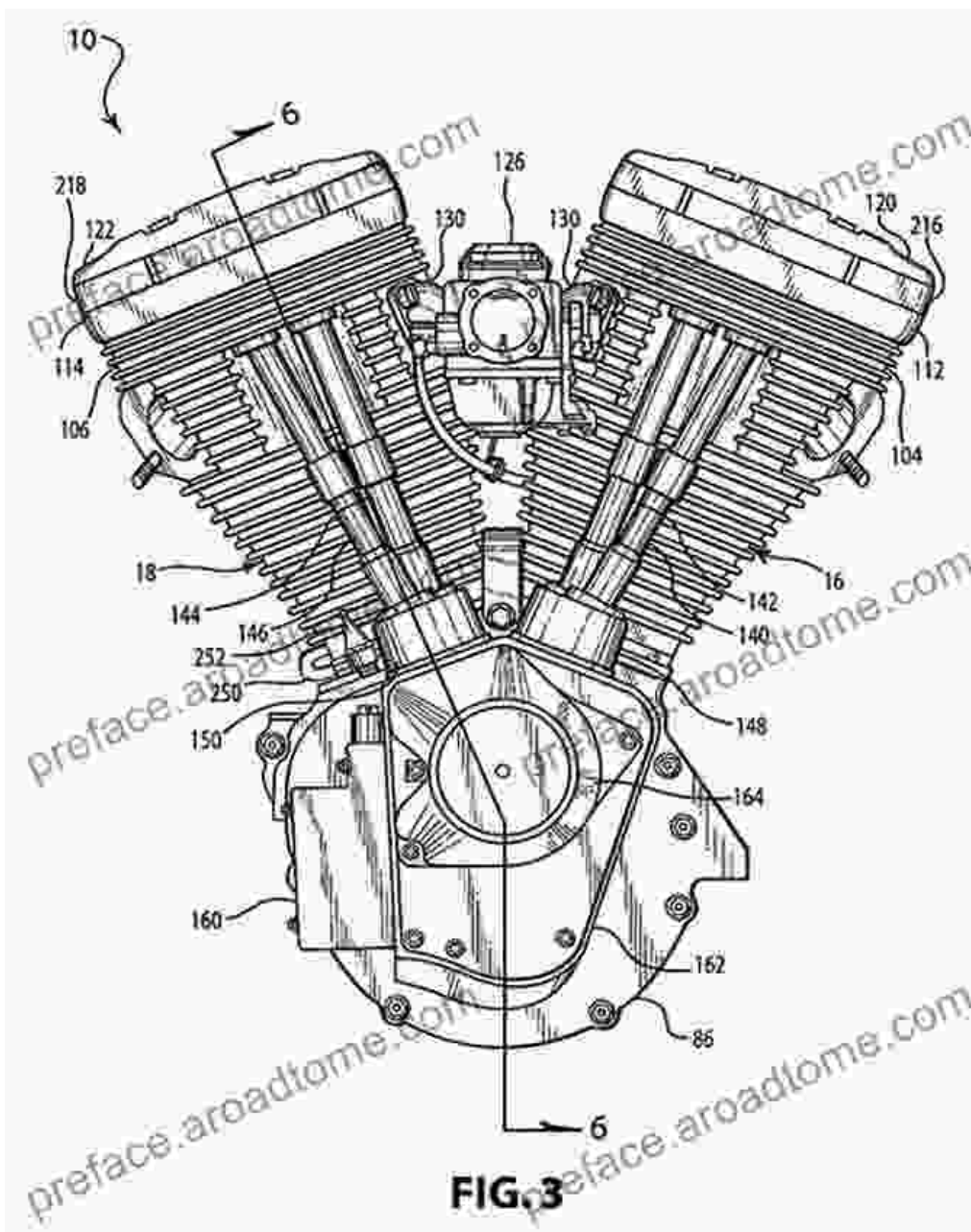
Donny Unauthorized's Technical Guide is more than just a repair manual; it's a testament to the enduring legacy of Harley-Davidson. Through detailed descriptions, exploded diagrams, and historical insights, you'll delve into the intricate details that make Harley-Davidson motorcycles legendary.

Discover the evolution of Harley's iconic engine designs, from the legendary Knucklehead to the modern-day Milwaukee-Eight. Trace the advancements in chassis technology, suspension systems, and braking systems that have shaped the handling and performance of Harley-Davidson motorcycles over the decades.

## **Empowering You to Master Your Harley**

Donny Unauthorized's Technical Guide is your ultimate tool for maintaining, repairing, and troubleshooting your Harley-Davidson motorcycle. With step-by-step instructions, clear diagrams, and expert advice, you'll be guided through every aspect of Harley ownership.

Learn how to diagnose and fix common problems, perform routine maintenance tasks, and customize your Harley to your heart's content. Whether you're tackling a minor repair or embarking on a full-scale restoration, Donny Unauthorized's Technical Guide will empower you with the knowledge and confidence you need to conquer any challenge.



## Unveiling the Secrets of Harley-Davidson

Donny Unauthorized's Technical Guide goes beyond mere technical specifications; it delves into the very soul of Harley-Davidson motorcycles.

- Explore the fascinating history of Harley-Davidson, from its humble beginnings to its global dominance.

- Gain an in-depth understanding of Harley-Davidson's legendary models, including the Sportster, Dyna, Softail, Touring, and CVO lines.
- Discover the secrets behind Harley-Davidson's legendary engine performance, chassis dynamics, and electrical systems.
- Learn the art of troubleshooting and diagnosing Harley-Davidson motorcycles, empowering you to solve problems with confidence.
- Access a wealth of maintenance tips and tricks, ensuring your Harley-Davidson runs smoothly for years to come.

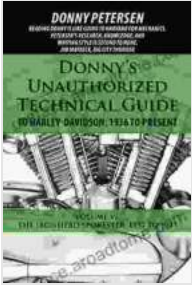
## **A Must-Have for Every Harley Enthusiast**

Whether you're a seasoned Harley owner, an aspiring mechanic, or simply a passionate admirer of these iconic motorcycles, Donny Unauthorized's Technical Guide to Harley Davidson 1936 to Present is an essential addition to your collection.

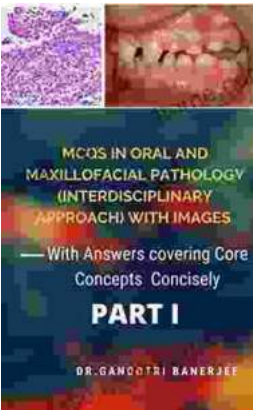
With its comprehensive coverage, expert insights, and practical guidance, this definitive reference will empower you to unlock the full potential of your Harley-Davidson motorcycle and experience the freedom and exhilaration that only a Harley can provide.

Don't wait any longer to enhance your Harley-Davidson ownership experience. Free Download your copy of Donny Unauthorized's Technical Guide today and embark on a journey of discovery, adventure, and unbridled passion for the Harley-Davidson legend.

**Donny'S Unauthorized Technical Guide to Harley-Davidson, 1936 to Present: Volume Vi: the Ironhead Sportster: 1957 to 1985** by Donny Petersen

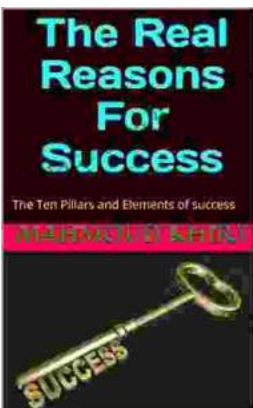


★ ★ ★ ★ ☆ 4.6 out of 5  
Language : English  
File size : 19515 KB  
Text-to-Speech : Enabled  
Screen Reader : Supported  
Enhanced typesetting: Enabled  
Print length : 1085 pages



## Unveiling the Secrets of Core Concepts: The Ultimate Learning Companion

Are you ready to unlock the doors to academic success and conquer core concepts with confidence? Look no further than our groundbreaking book, "With Answers Covering..."



## Unlock Your True Potential: Uncover the Real Reasons For Success

Embark on a Transformative Journey to Extraordinary Achievements Are you ready to break free from mediocrity and unlock your true potential? In his...